

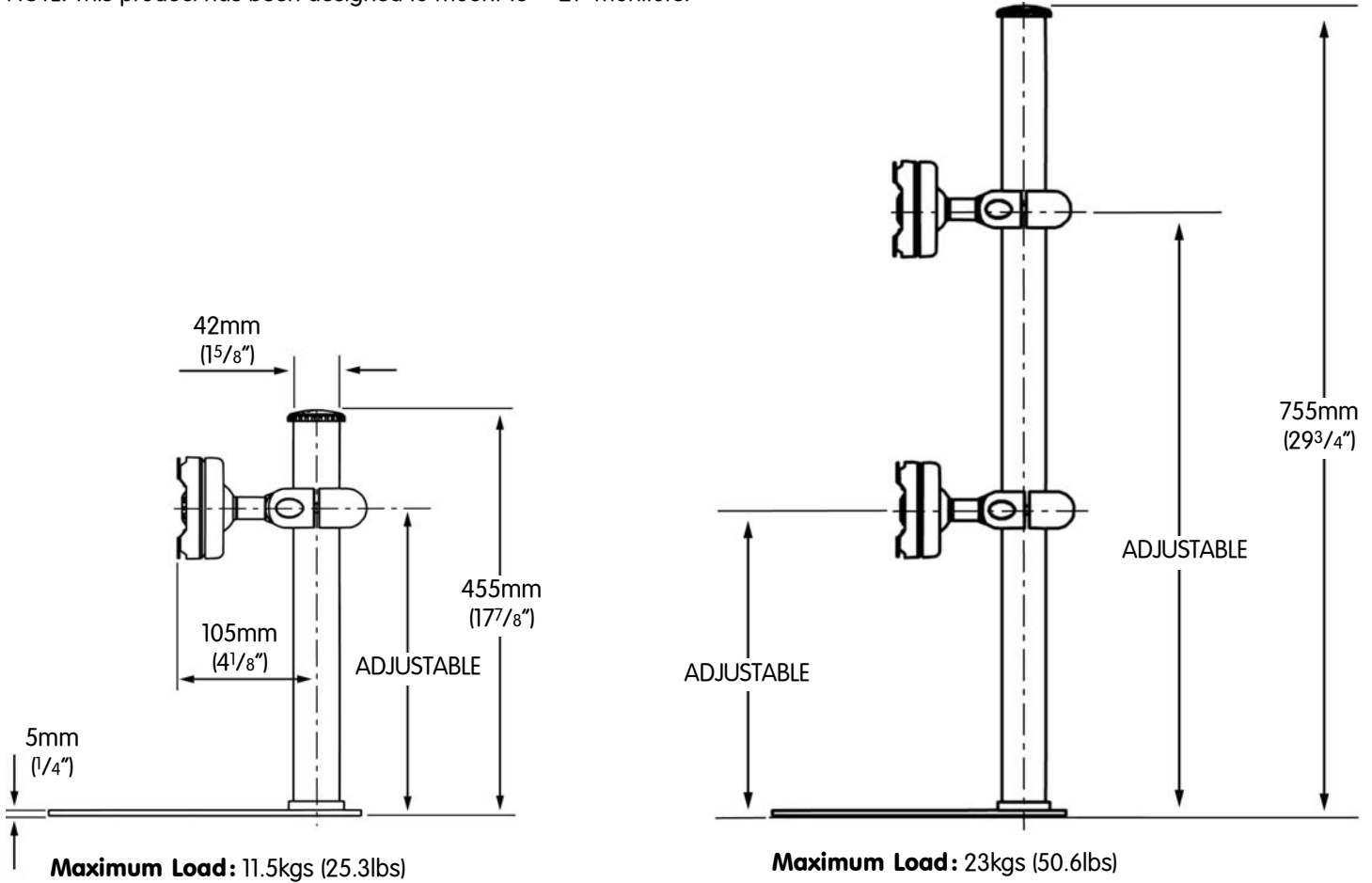
Technical Specifications

SPACEDEC[®]

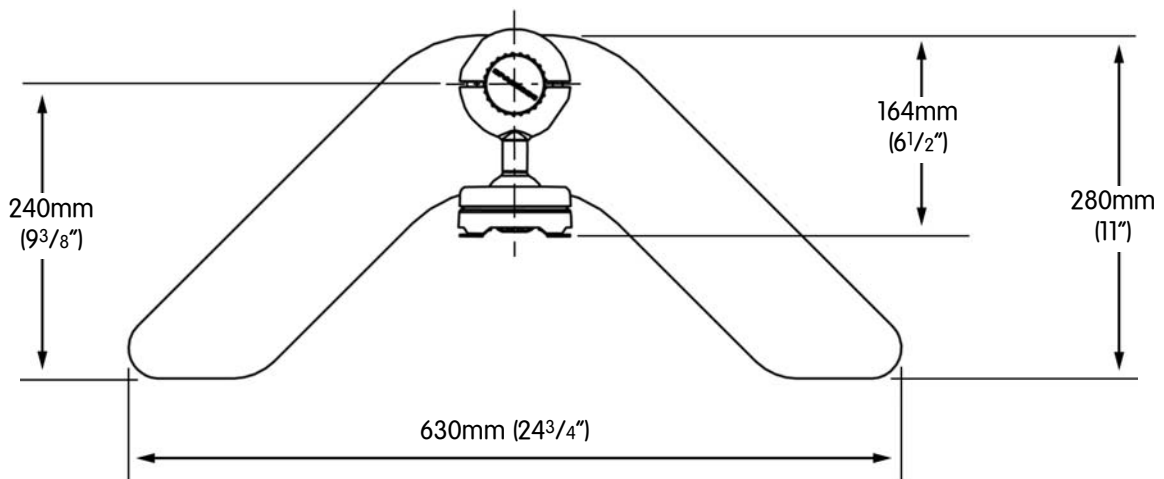
DISPLAY FREESTANDING
SINGLE & DOUBLE

Dimensions

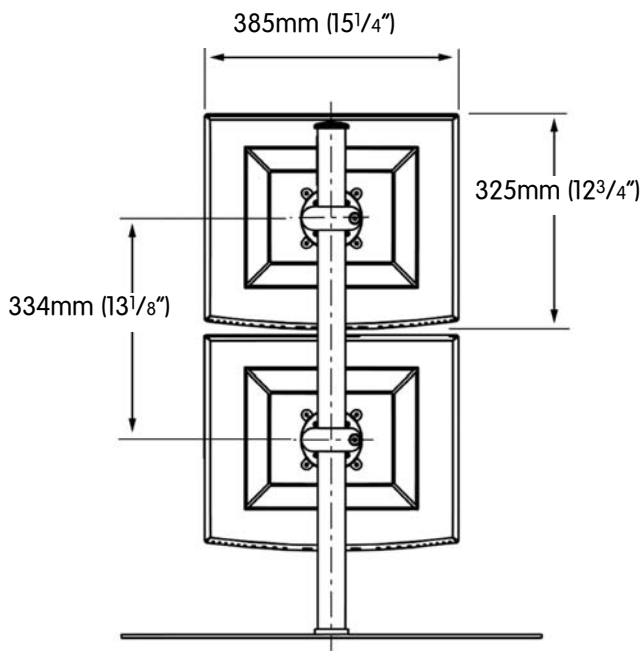
NOTE: This product has been designed to mount 15" - 21" monitors.



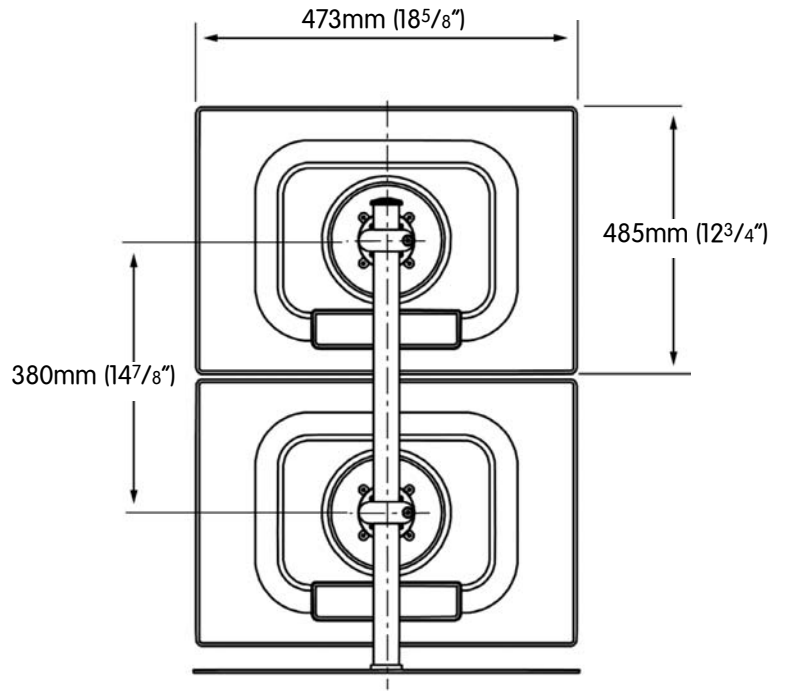
Footprint



Configurations



Typical configuration for 15" Monitors

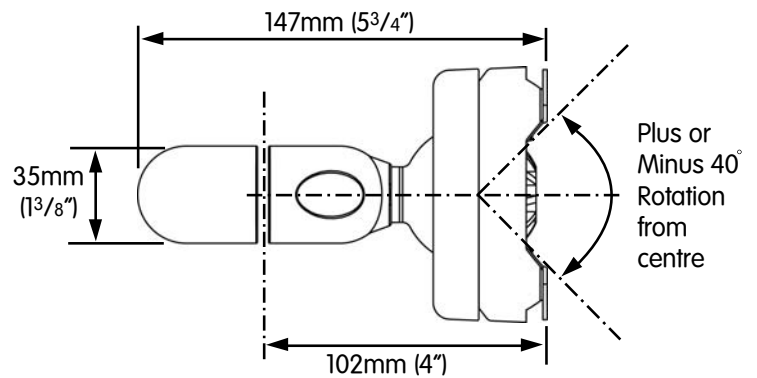
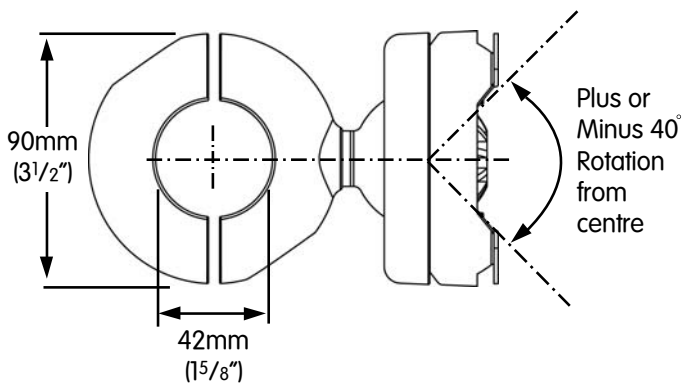


Typical configuration for 21" Monitors

NOTE: Dimensions are based on the average overall sizes of 15 and 21 Inch displays.

Donut 42 Dimensions

Maximum Load: 11.5 kgs (25.3 lbs)



the visual display mounting company