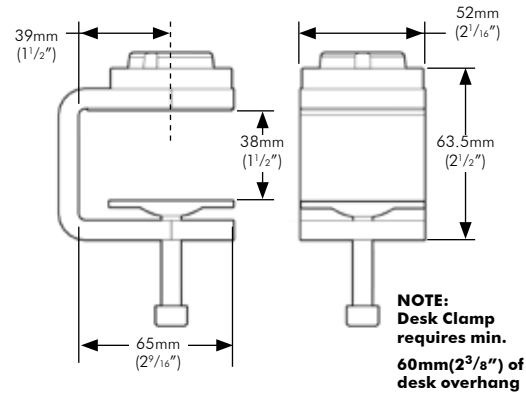


## E Desk Mounting Options

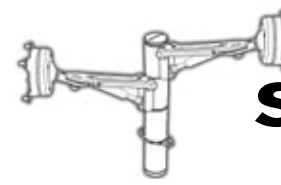
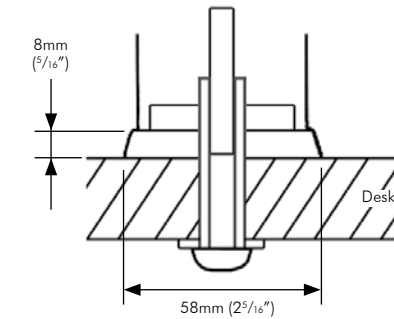
### Desk Clamp

Suits desk thicknesses of 12mm to 38mm (1/2" to 1 1/2")



### Bolt Through

Suits desk thicknesses of 12mm to 40mm (1/2" to 1 1/2")



# Technical Specifications

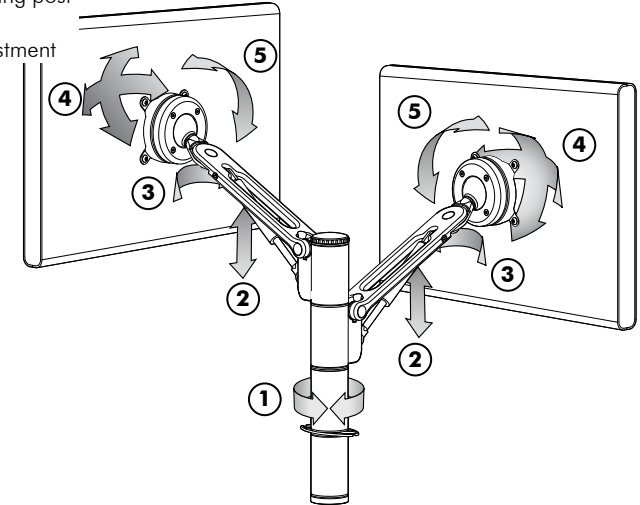
# SPACEDEC ACROBAT

## SWING ARM DOUBLE

**NOTE:** The following information is based on a Spacedec Acrobat Swing Arm Double with the standard 350mm (13 3/4") arm set at the 6kg (13lbs) gas strut setting.

## A General Features

- ① Arms swing 360° around mounting post
- ② Up to 460mm (18") height adjustment
- ③ Pivot head pans 85°
- ④ ±40° tilt, ±40° pan
- ⑤ Portrait/Landscape rotation



### Display Compatibility:

Spacedec Acrobat is compatible with most LCD displays that use the VESA international mounting standard. Please refer to the VESA Compliance List on the Atdec website to view all compatible LCD models ([atdec.com](http://atdec.com))

### Display Weight Compatibility:

Each Arm supports 3kg to 9kg (6.6lbs to 19.8lbs)

### Desk Mounting Options:

Bolt Through (included in package) - Suits desktop thicknesses of 12mm to 40mm (1/2" to 1 1/2")

Desk Clamp (included in package) - Suits desktop thicknesses of 12mm to 38mm (1/2" to 1 1/2")

### Display Mounting Options:

Suits 75mm x 75mm (3" x 3") and 100mm x 100mm (4" x 4") mounting hole patterns

### Cable Management:

Cable Wrap Manager Clip, Cable Clips and Cable Wrap (included in package)

### Colours:

Polished Aluminum, Silver or Black

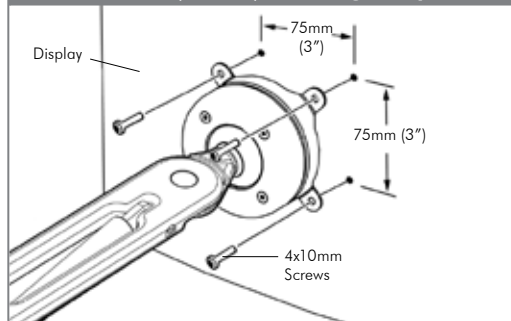
### Warranty:

5 years limited

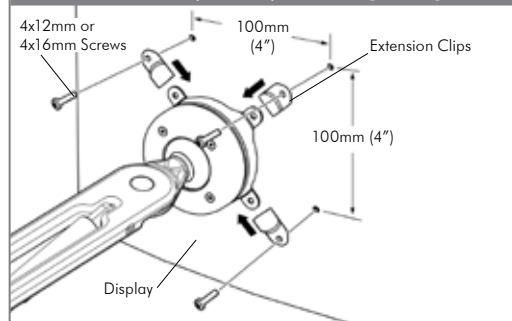
## F Display Mounting Options

Suits 75mm x 75mm (3" x 3") and 100mm x 100mm (4" x 4") mounting hole patterns.

### 75mm x 75mm (3" x 3") mounting hole pattern

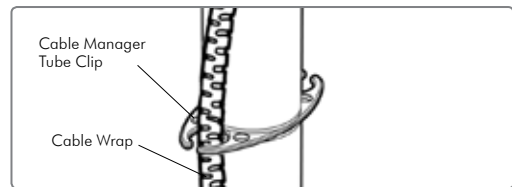
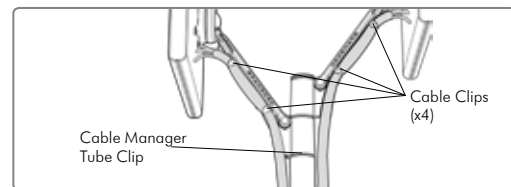


### 100mm x 100mm (4" x 4") mounting hole pattern

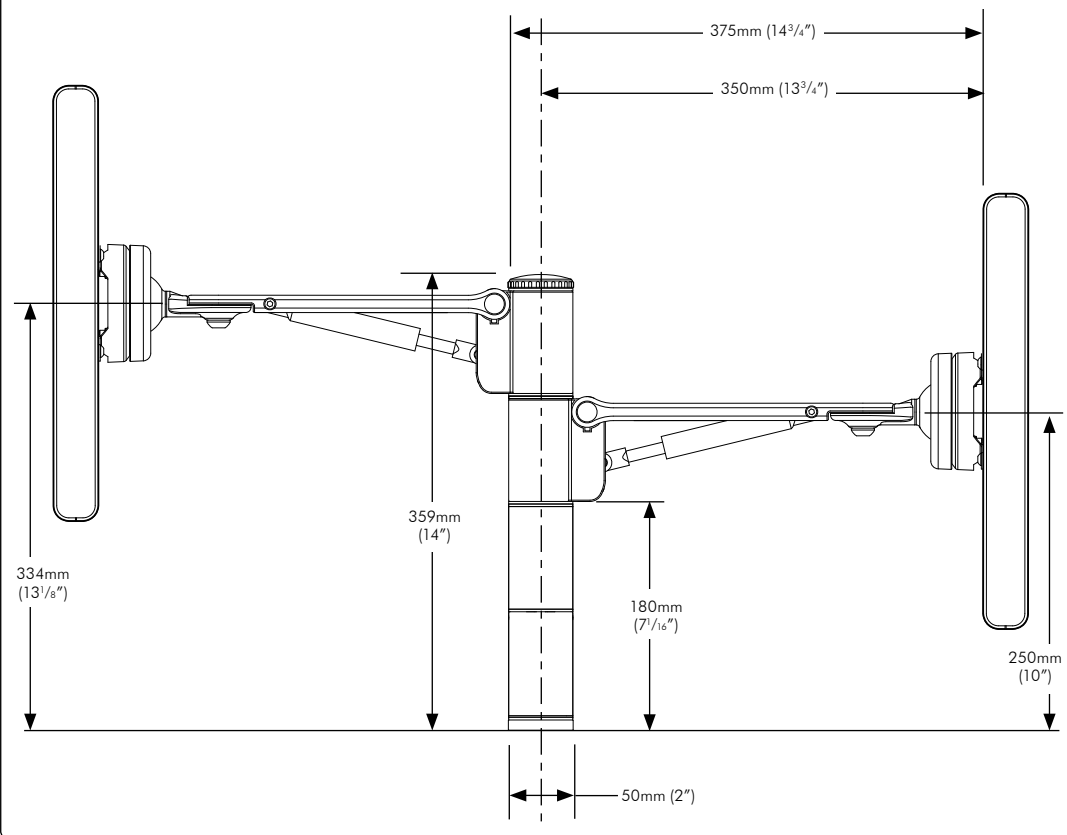


## G Cable Management

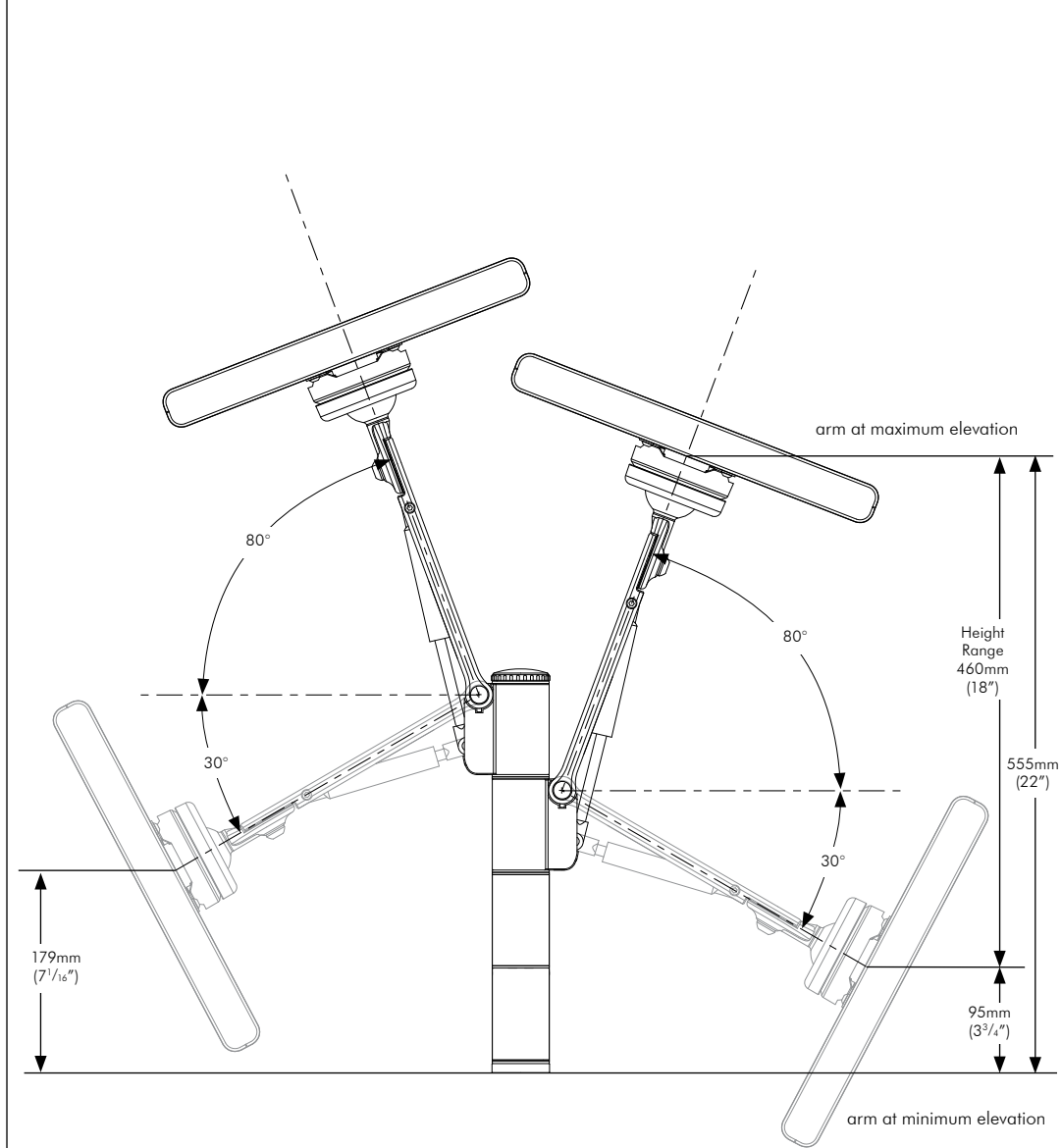
All Spacedec Acrobat Swing Arm Doubles are supplied with 2 x 650mm (25 1/2") of Ø16mm (5/8") black Cable Wrap.



## B Overall Dimensions



## D Range of Movement



## C Possible Configurations

Spacedec Acrobat Swing Arm Double can be assembled in a number of different configurations depending on the users requirements.

Two such examples are shown below and right.

