

Installation Instructions

VISIDEC[®]

Notebook Traveller 17T

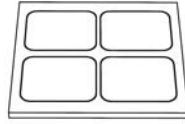
Component Checklist



Visidec Notebook
Traveller 17T



Traveller Bag

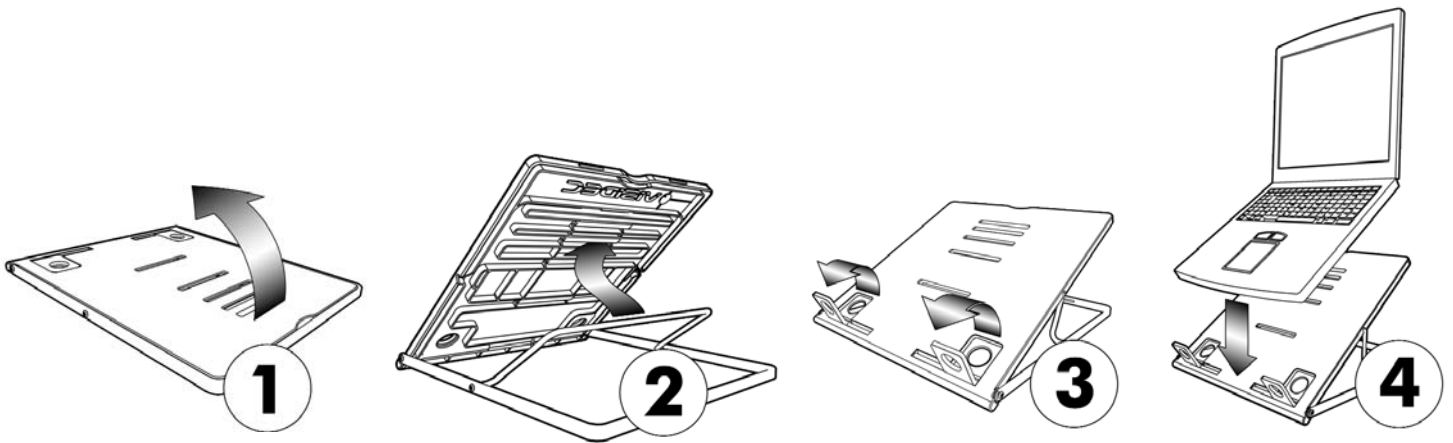


4 Rubber Pads

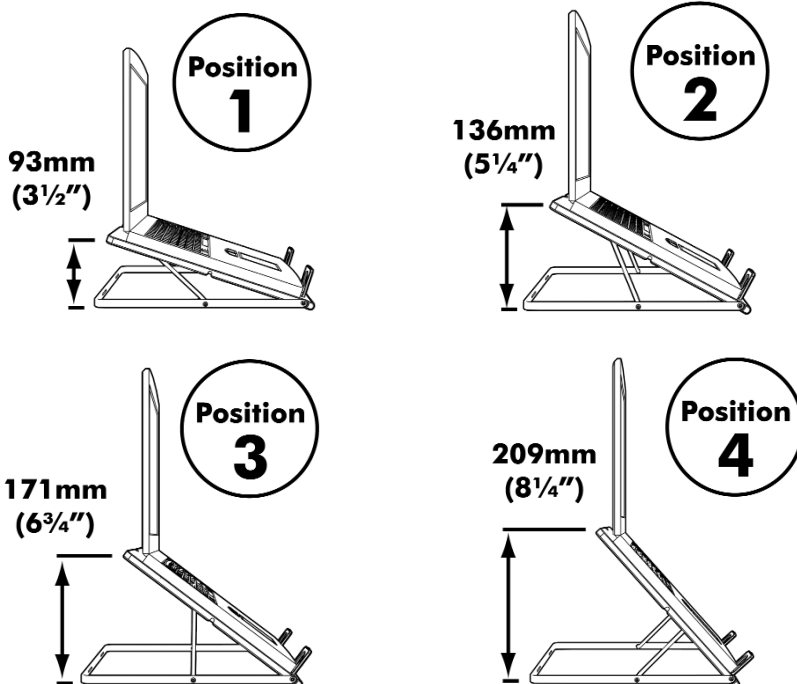
Visidec Notebook Traveller 17T supports a 17" Widescreen Notebook up to a maximum weight of 4kgs (8.5lbs)

This product is to be used in conjunction with an external keyboard and mouse

A Setting Up



B Height Adjustment



The right height for you

Visidec Traveller features four support settings. Follow the steps below to determine which is best for you:

Step 1): Place your notebook computer on Visidec Traveller 17T with its screen in the open position.

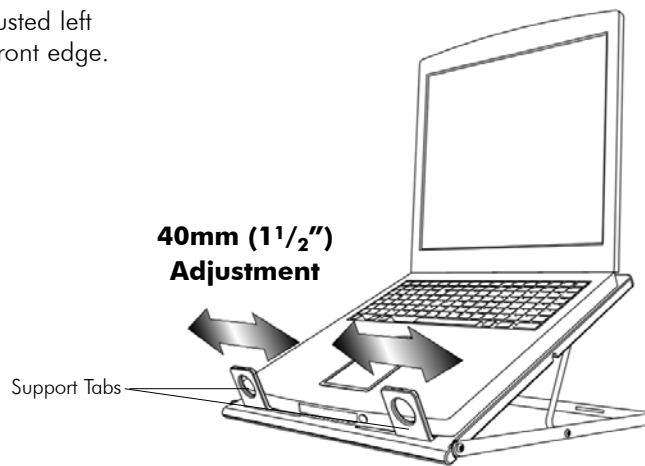
Step 2): Raise the support surface until the distance between the desktop and the top of the screen is at the suggested height (h) for you. (see section E)

Step 3): Hook the support bar into the closest catch on the underside of the support surface.

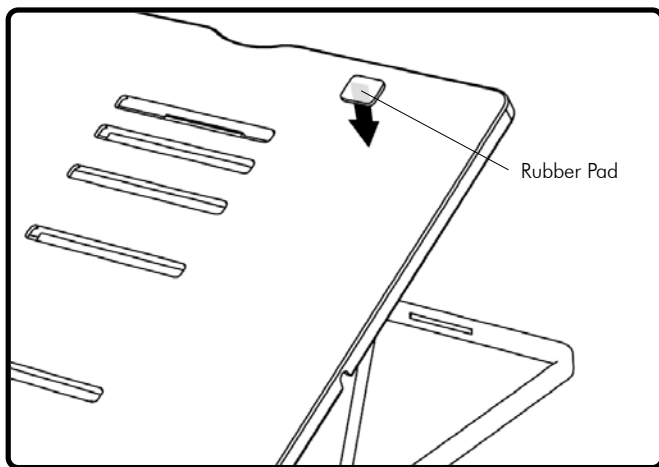
Step 4): Plug in your keyboard and enjoy.

C Support Tab Adjustment

The Tabs used to support the notebook can be adjusted left or right to clear any peripheral connectors on the front edge.



D Rubber Pads



Some notebooks have bumper feet set in irregular places. Rubber Pads are therefore provided to ensure the unit sits squarely on the Visidec Traveller.

E Ergonomic Guidelines

Ergonomists recommend that the optimum position of your screen height should be slightly below eye level. When looking at the screen's centre the user should have a downward visual angle of approximately 10° to 20°.

As a guide, the distance between the desktop and the top of your screen (**h**) should be as follows:

- **Short Male: 368mm (14 1/2")**
- **Short Female: 356mm (14")**
- **Tall Male: 560mm (22")**
- **Tall Female: 520mm (20 1/2")**

For visual comfort, a viewing distance of 500mm (19 1/2") to 750mm (29 1/2") is recommended. Angular adjustments to reduce reflection on the screen should range between 5° forward tilt and 15° backward tilt.

