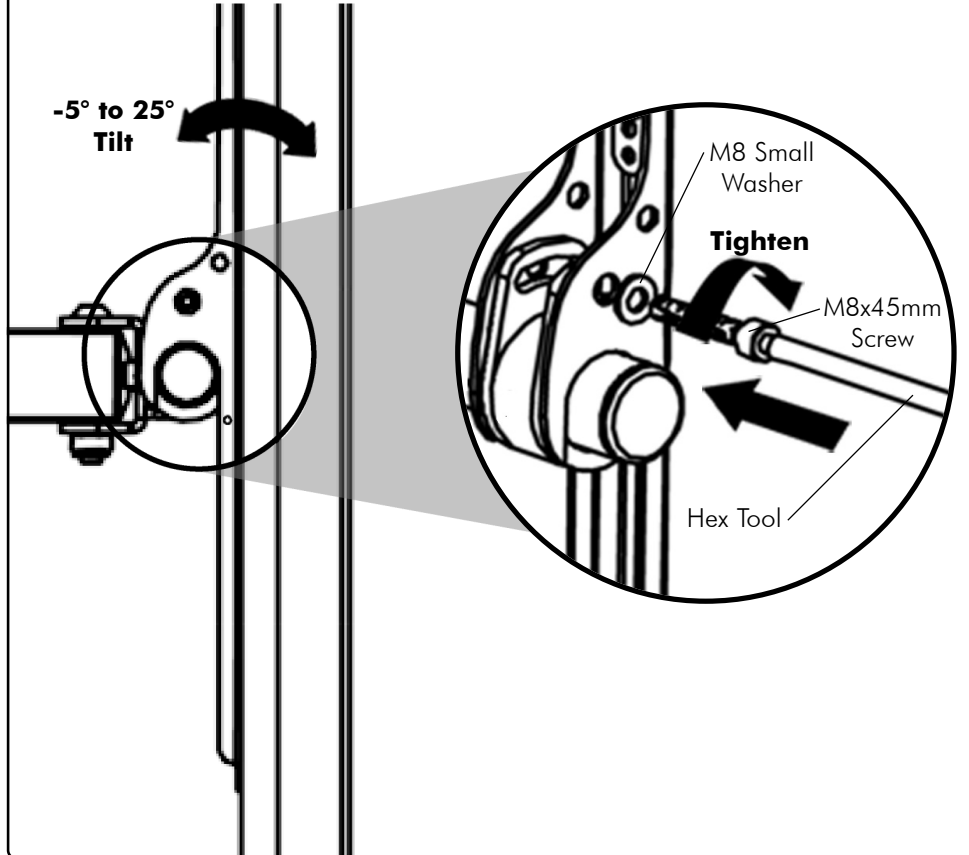


Installation Instructions

TELEHOOK™

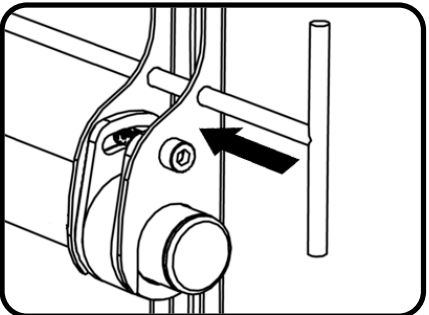
31-55 Swing Arm Accessory Kit

G Fix the Tilt angle of the Display



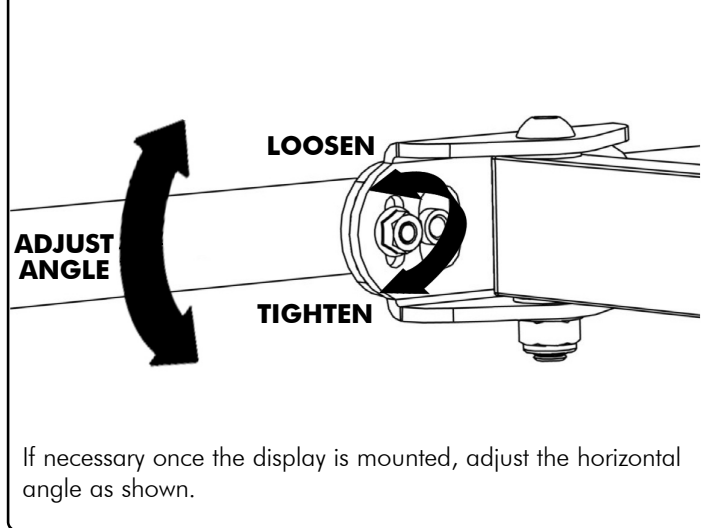
Step 1
Fit two M8x45mm Locking screws into brackets behind Display. Adjust the Tilt angle of the Display. Tighten two locking screws with the Hex Tool provided.

WARNING: Do not attempt to adjust tilt angle without firstly loosening locking screws. Doing so may damage product.

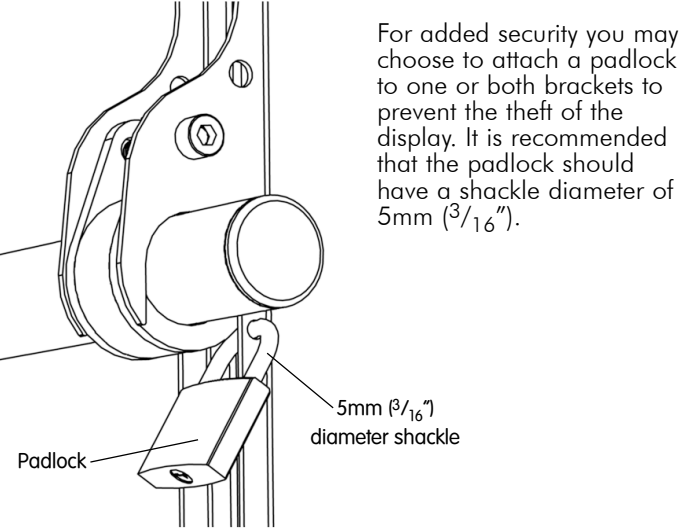


Step 2
Store the Hex Tool behind the display

H Horizontal Adjustment Feature

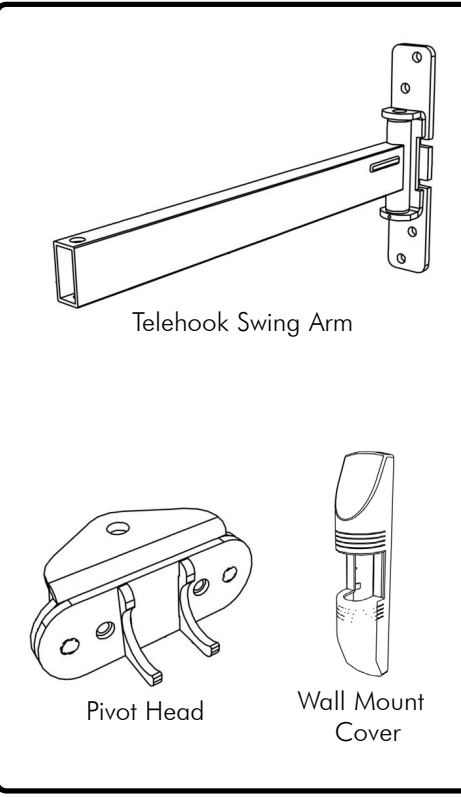


I Security Option

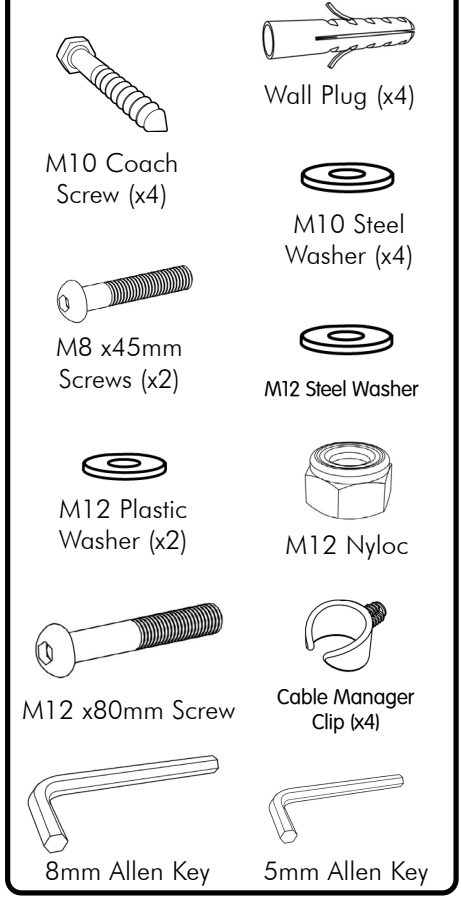


Component Checklist

IMPORTANT:
Ensure you have received all parts against the component checklist prior to installing.



Bit Box



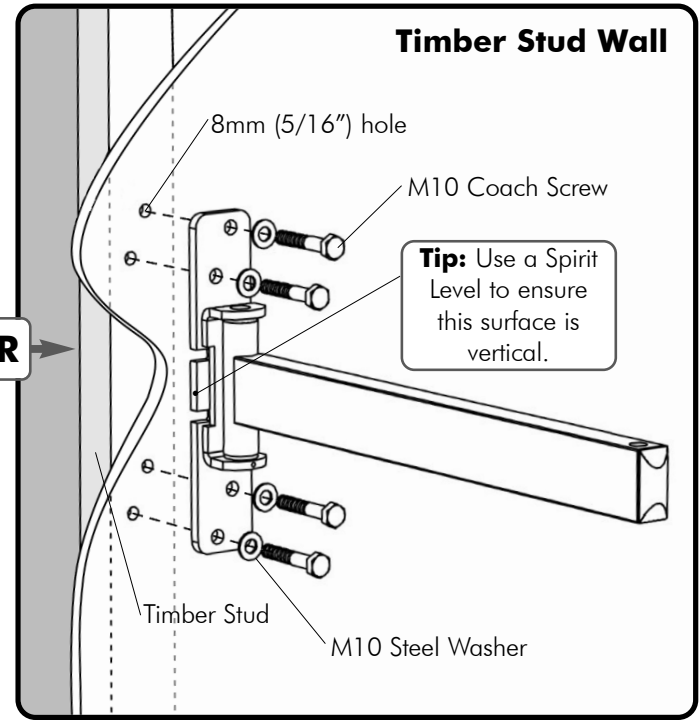
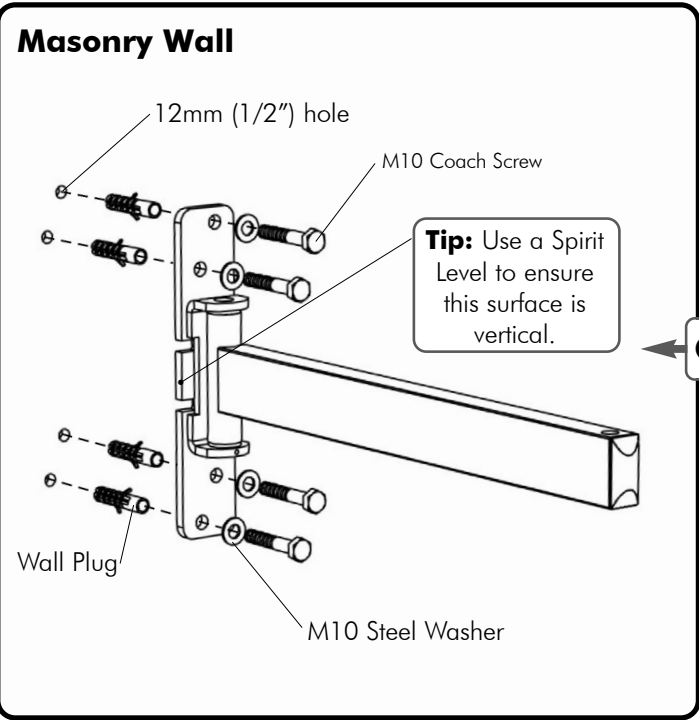
Telehook 31-55 Swing Arm supports a maximum weight of 60kgs (132lbs)

NOTE:
This product is to be used in conjunction with Telehook 31-55 Tilt Wall.
The manufacturer does not accept responsibility for incorrect installation.

TOOLS REQUIRED:

- Power Drill
- 12mm (1/2") Drill Bit
- 8mm (5/16") Drill Bit
- Adjustable wrench

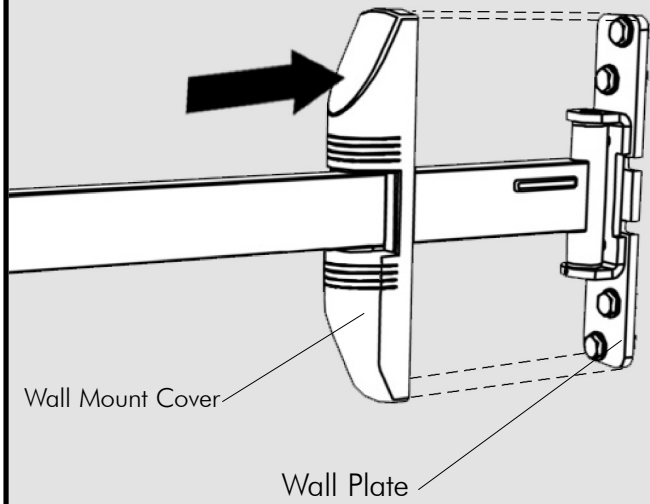
A Attach Telehook Swing Arm Unit to the Wall



B Attach Pivot Head to Swing Arm

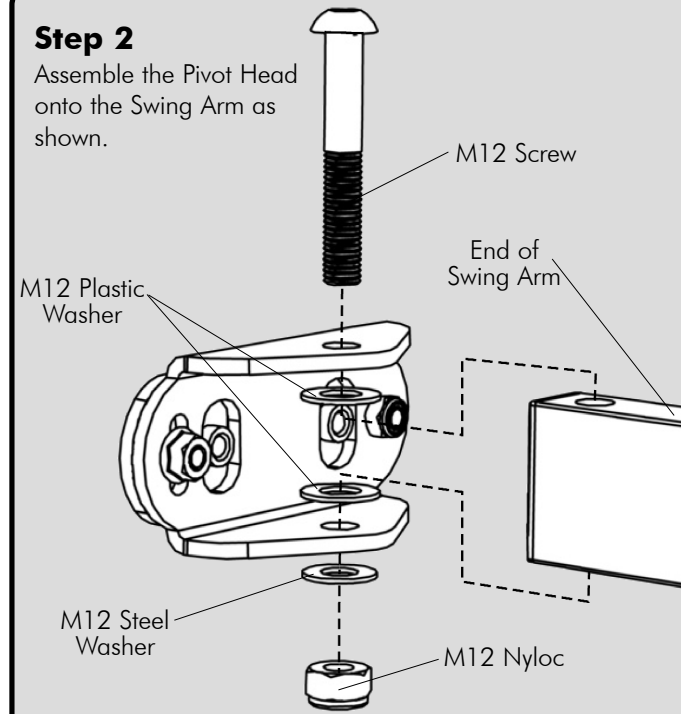
Step 1

Slide the Wall Mount Cover along the Swing Arm until it snap fits onto the wall plate.



Step 2

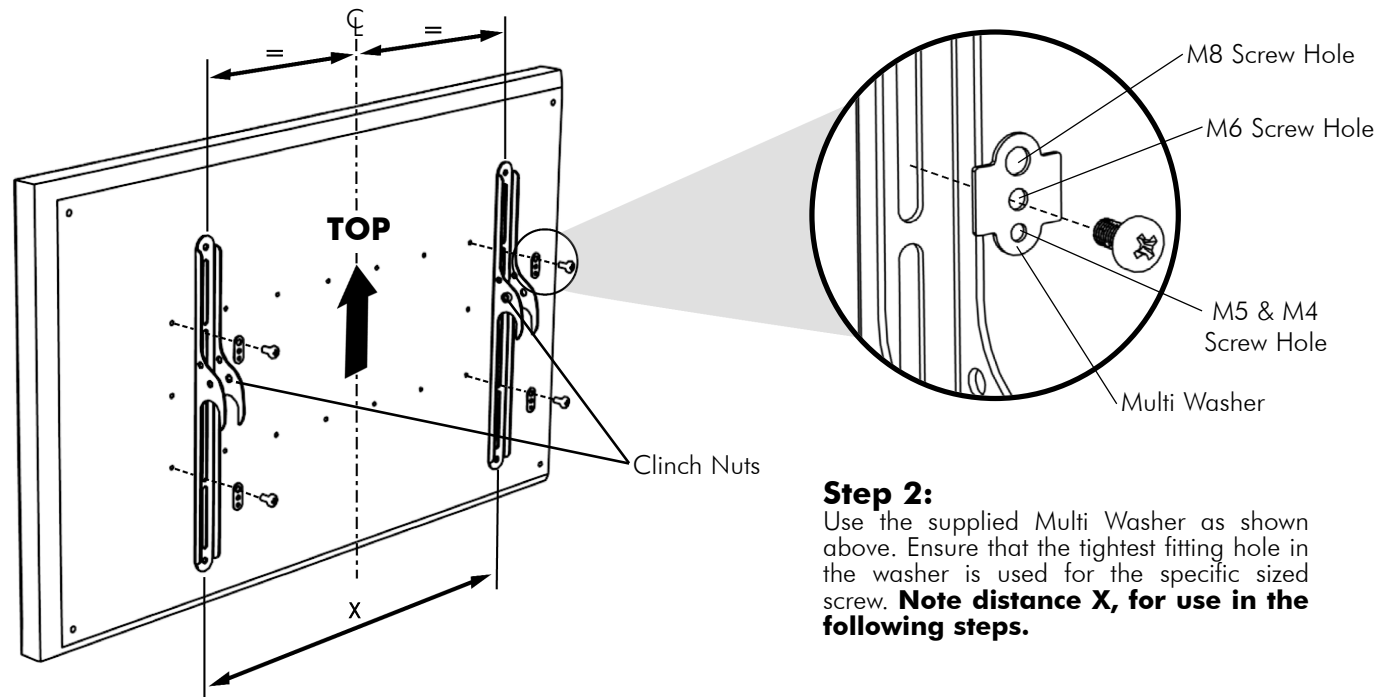
Assemble the Pivot Head onto the Swing Arm as shown.



C Attaching the Brackets to the Display

Step 1

Attach left and right brackets to the rear of your display. Select M4, M5, M6 or M8 fasteners to suit your display. Ensure a minimum of two fasteners are used per bracket. Clinch nuts must be positioned as shown (internally).



Step 2:

Use the supplied Multi Washer as shown above. Ensure that the tightest fitting hole in the washer is used for the specific sized screw. **Note distance X, for use in the following steps.**

NOTE:

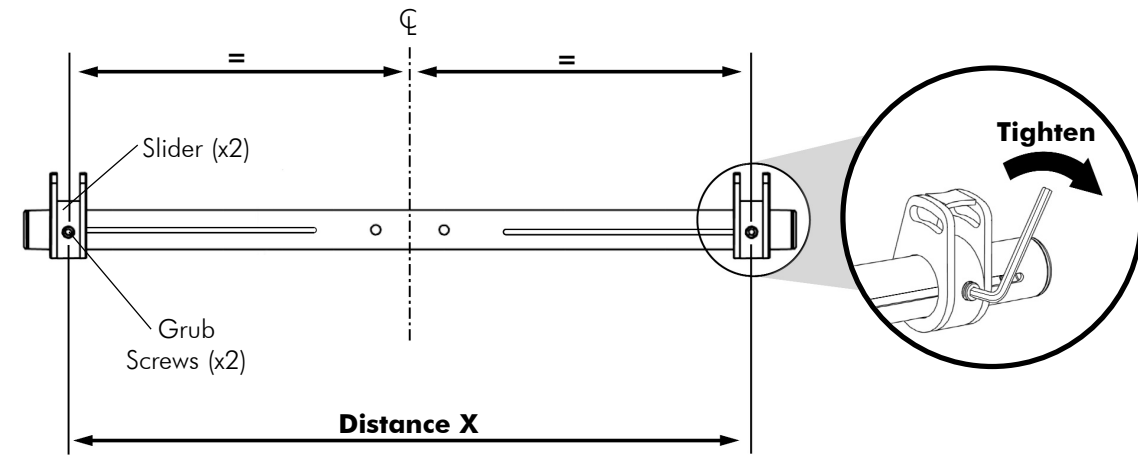
The following components from the standard Telehook 31-55 Tilt Wall are not required:

- Wall Mount (x2)
- M8 Coach Screw (x4)
- Wall plug (x4)
- M8 Large Washer (x4)

D Positioning Sliders

Step 1

Accurately position sliders at distance X as recorded in Section A. Ensure the Sliders are equally spaced along the centre Horizontal Bar.



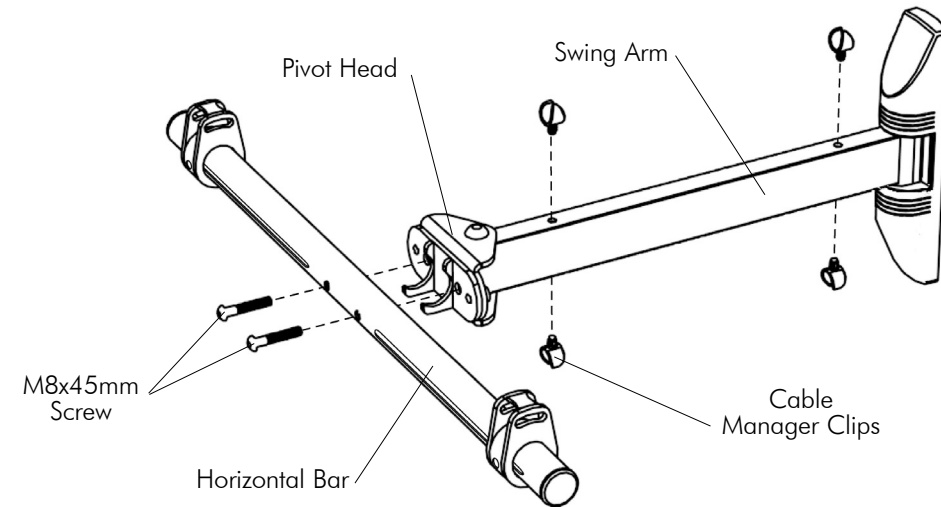
Step 2

Secure slider in position and tighten firmly with supplied Allen Key. Ensure that it locates into the slot on the horizontal bar. The grub screw should tighten flush to surface.

E Attach the Horizontal Bar to Pivot Head

Step 1

Attach the Horizontal Bar and tighten screws as shown.



Step 2

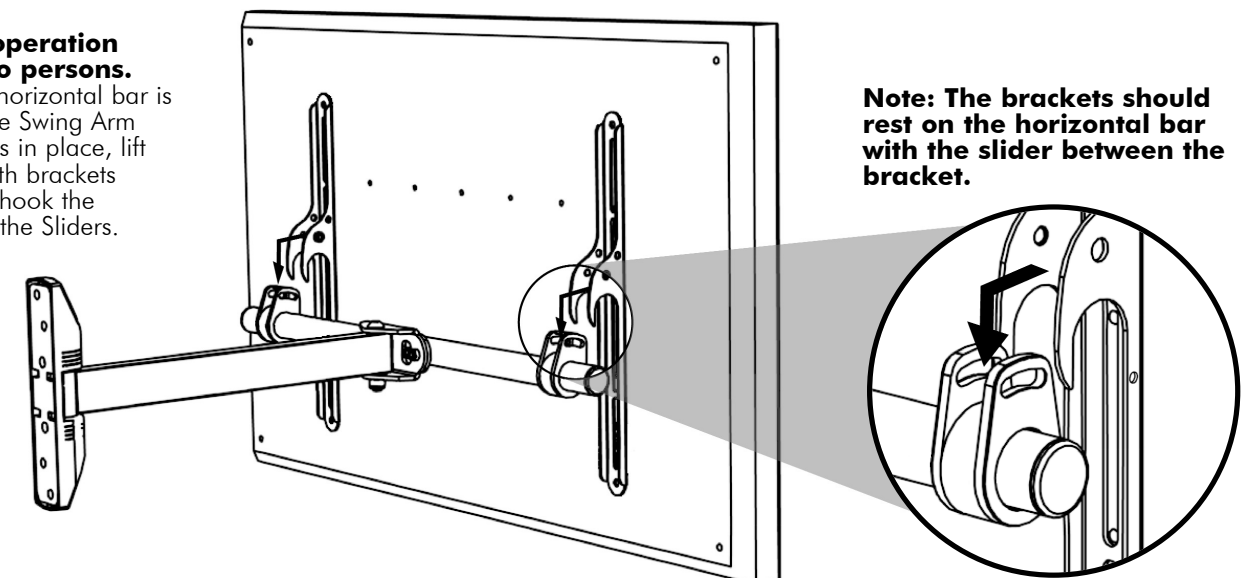
Attach the four Cable Manager Clips to the Swing Arm by inserting the clips into the holes. Ensure that the clips are held firmly in place.

F Mounting the Display

Step 1

Note: This operation requires two persons.

Now that the horizontal bar is attached to the Swing Arm with the Sliders in place, lift the Display with brackets attached and hook the Brackets over the Sliders.



Note: The brackets should rest on the horizontal bar with the slider between the bracket.