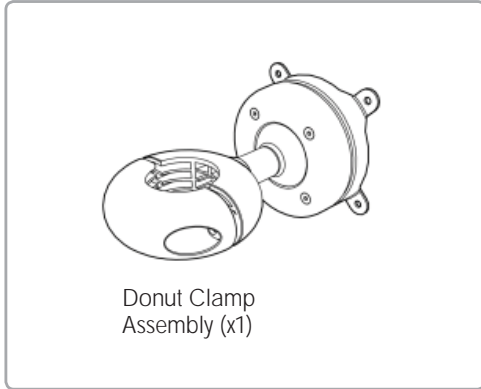


# Installation Instructions SPACEDEC

DISPLAY  
42mm & 50mm Donut

## Component Checklist



### Bits Box



5mm Allen Key (x1)



2.5mm Allen Key (x1)



Extension Clip (x4)

### Mounting Fasteners



M4x10mm Screw (x4)



M4x12mm Screw (x4)



M4x16mm Screw (x4)

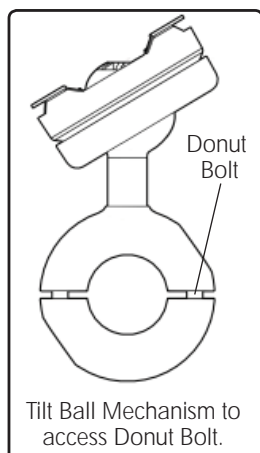
## A Component Checklist

Check you have received all parts against the Component Checklist above.

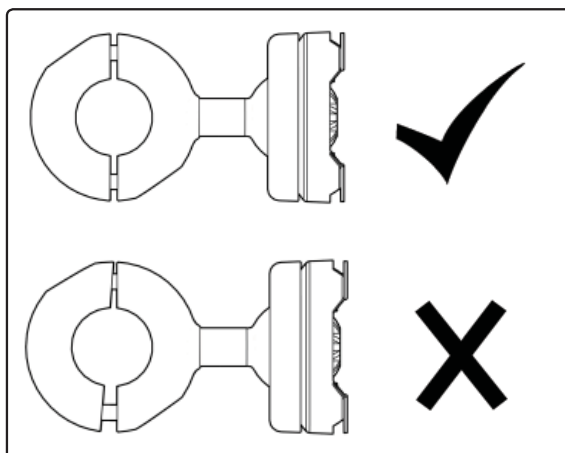
## B Fitting Donut Clamp Assembly to Previously Installed 42mm(1<sup>5</sup>/<sub>8</sub>) or 50mm(2") Donut Post

- B.1** Tilt the Ball Mechanism to one side to access the Donut Bolt as shown in diagram B.1.1.
- B.2** Using the supplied 5mm Allen Key, secure the Donut to the Donut Post as shown in diagram B.2.1. Ensure that each of the screws are tightened evenly as shown in diagram B.2.2.

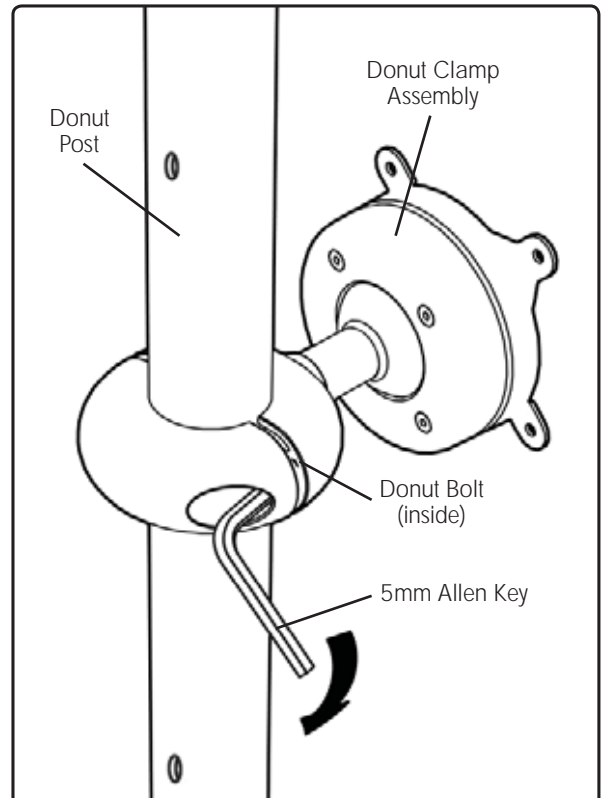
**IMPORTANT:** Each of the Donut Bolts must be tightened evenly. Failure to do so will damage the Donut Clamp. Do not over-tighten as this may also result in damage.



B.1.1.



B.2.2.



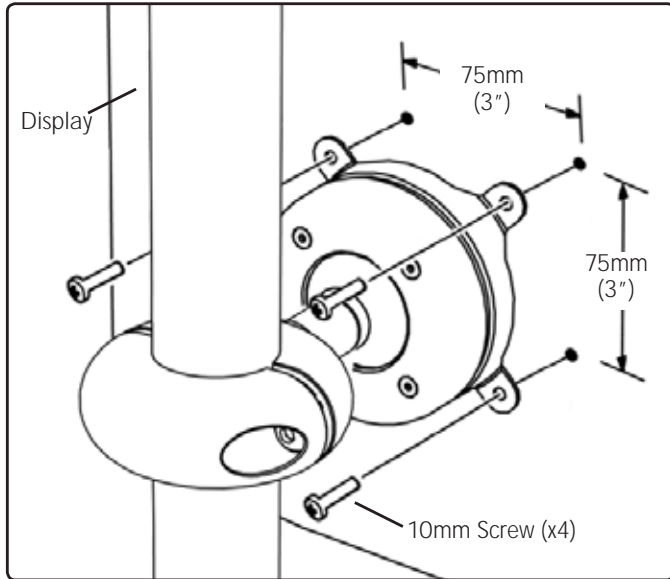
B.2.1.

## C Repeat Donut Clamp Assembly Installation

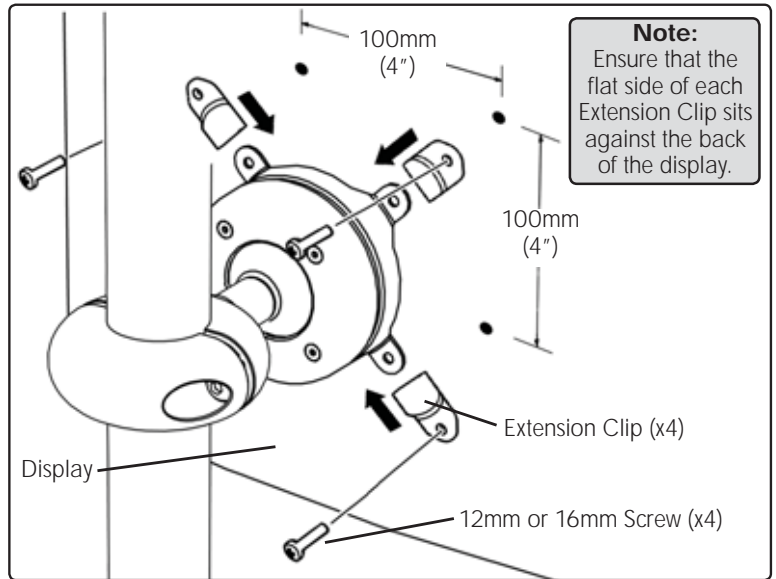
Repeat Step **B** for the remaining Donut Clamp Assemblies.

## D VESA Screen Mounting Options

### D.1. Fitting a Display to the Donut Clamp Assembly



75mm(3") x 75mm(3") hole pattern

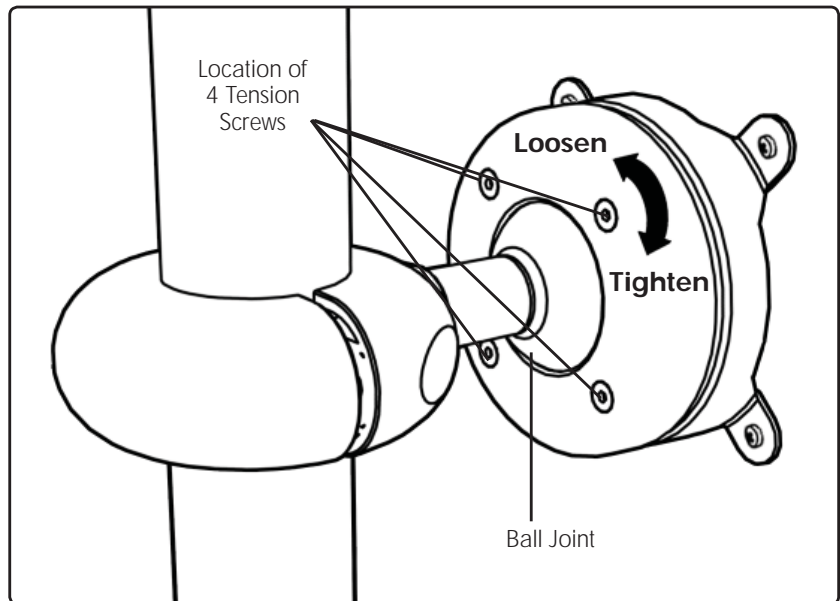


100mm(4") x 100mm(4") hole pattern

## E Adjusting the Donut Clamp Assembly

Depending on the weight of the display, it may be necessary to make adjustments to the Ball Joint Mechanism. If the display doesn't hold its position or is too resistant, adjust the four tension screws located around the Ball Joint (see diagram on the right). To make any adjustments, use the supplied 2.5 mm Allen Key.

Check the display, and then adjust again if necessary.



## Installation Complete

