

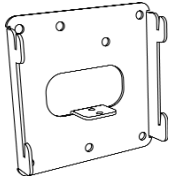
TELEHOOKTM

Installation Instructions

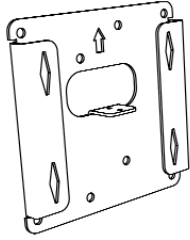
12-24 Wall Mount

Component Checklist

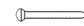

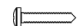
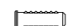

Bit Bag



75mm Mounting Plate



100mm Mounting Plate

-  4g Locking Screw (x1)
-  M4 x 10mm Screws (x4)
-  8g x 25mm Screws (x4)
-  Nylon Anchor Plugs (x4)
-  Dry Wall Anchor (x4)

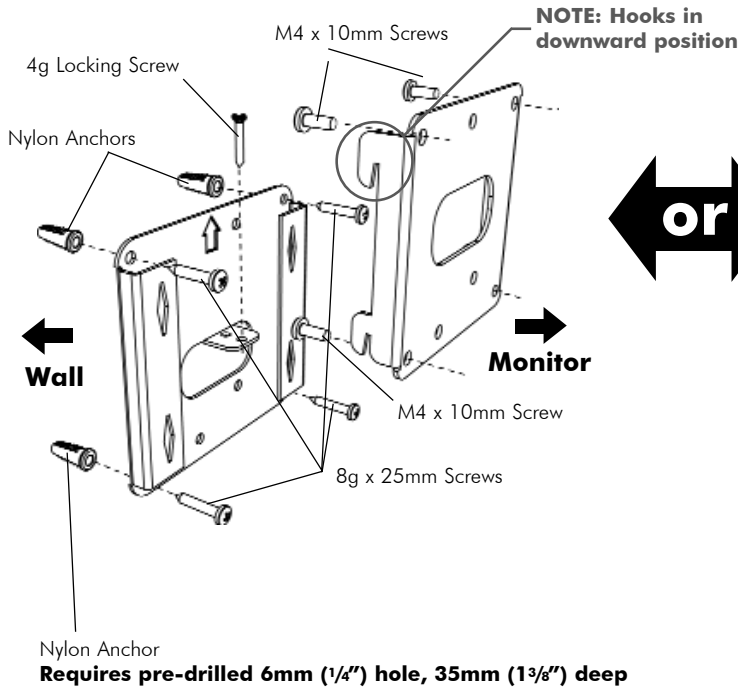
A Attach the Mounting Plates

! IMPORTANT - Install Wall Mount as per Installation Instructions

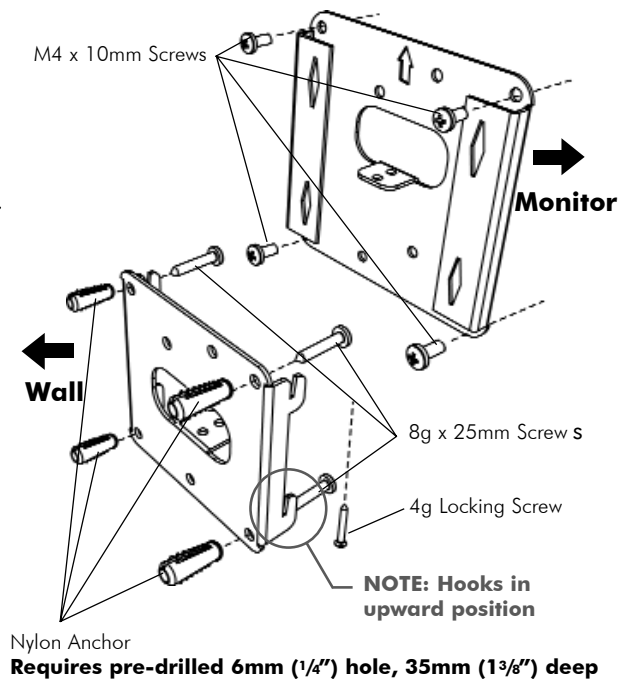
- ! The Wall Mount supports 12" (30cm) to 24" (61cm) displays weighing up to 11kg (24.4lbs)
- ! The manufacturer accepts no responsibility for incorrect installation

A1 Mounting to Masonry Walls

For displays with 75mm x 75mm (3" x 3") mounting hole patterns:



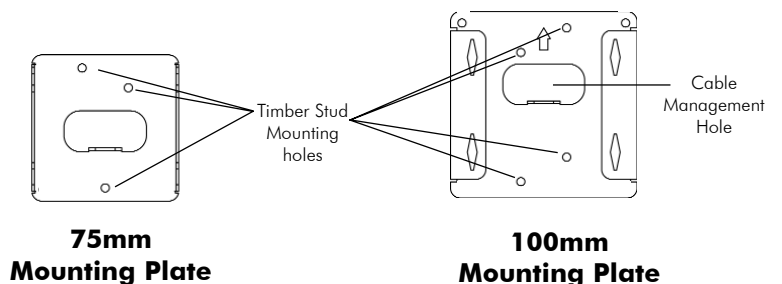
For displays with 100mm x 100mm (4" x 4") mounting hole patterns:



A2 Mounting to Timber Studs

1. Using a similar method as the masonry wall mounting procedure above, attach either the 75mm or 100mm Mounting Plate to the display using the M4 x 10mm Screws.

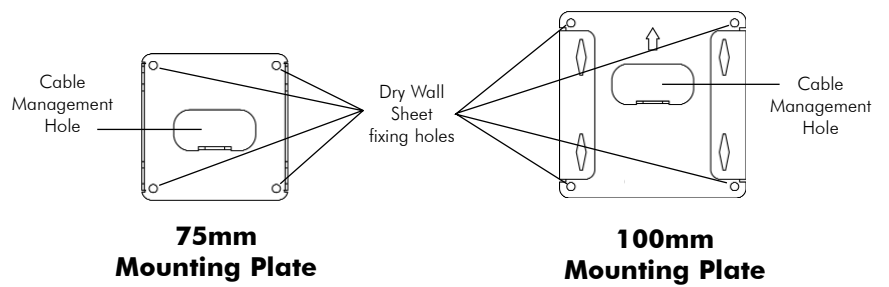
2. Attach the remaining mounting plate to the wall using the four 8g x 25mm Screws through the **Timber Stud Mounting Holes** (as shown)



A3 Mounting to Dry Wall

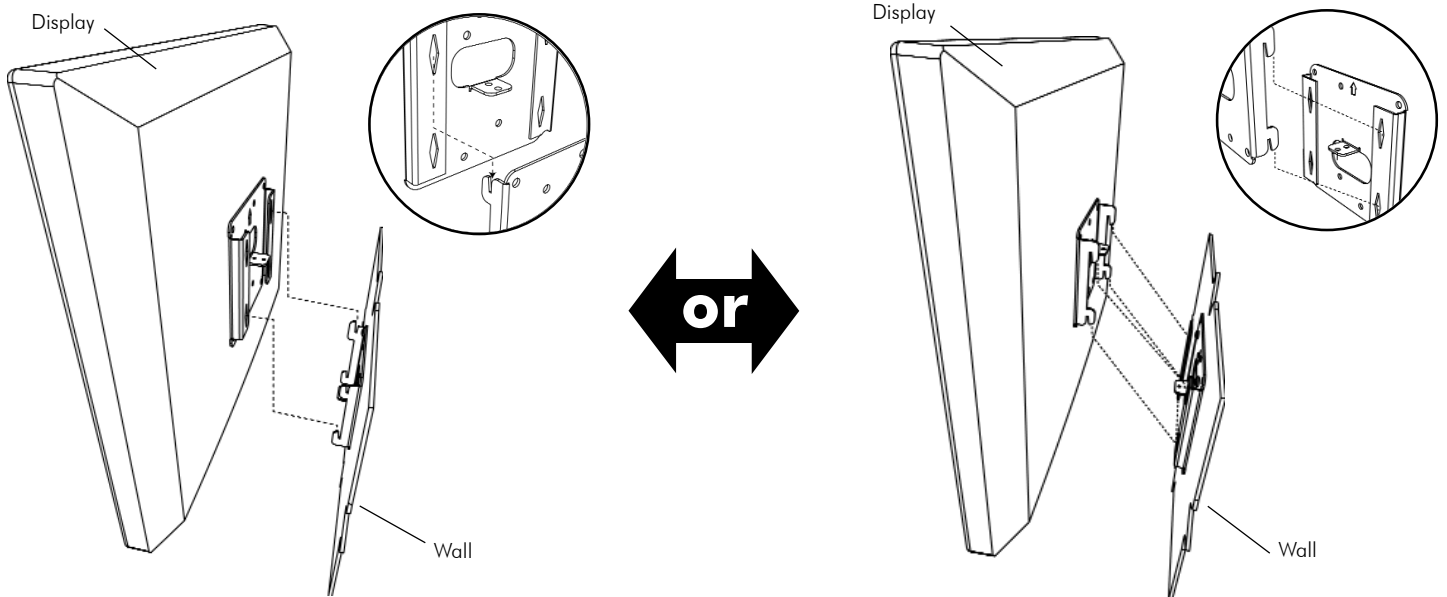
1. Using a similar method as the masonry wall mounting procedure in step **A1**, attach either the 75mm or 100mm Mounting Plate to the display using the M4 x 10mm Screws
2. Drill 7mm (1/4") holes into the Dry Wall sheet to suit the correct Dry Wall Mounting Hole pattern (refer to diagram)
3. Press Dry Wall Anchors into sheet by hand
4. Secure the Mounting Plate to the wall using the Dry Wall Anchor screws

IMPORTANT: Do Not Overtighten

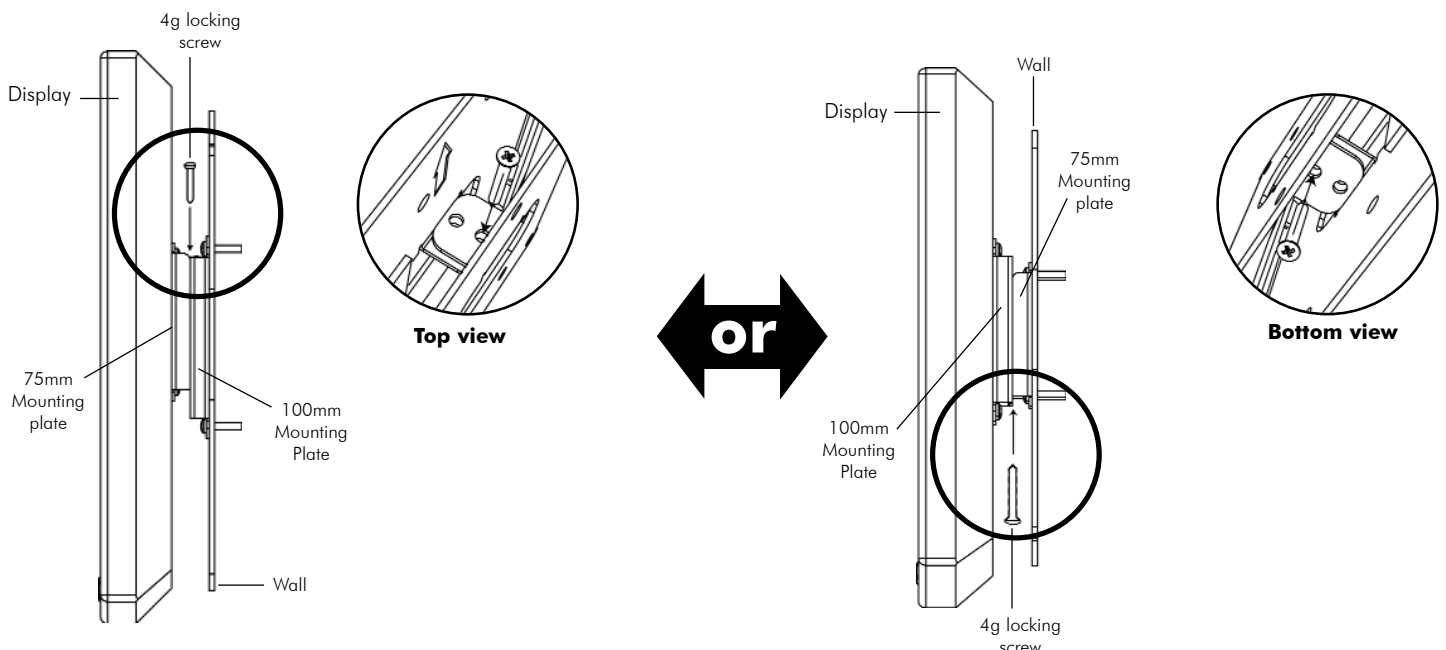


B Cable Management - Use Cable Management holes in Mounting Brackets where appropriate

C Final Assembly



D Security (optional)



the visual display mounting company